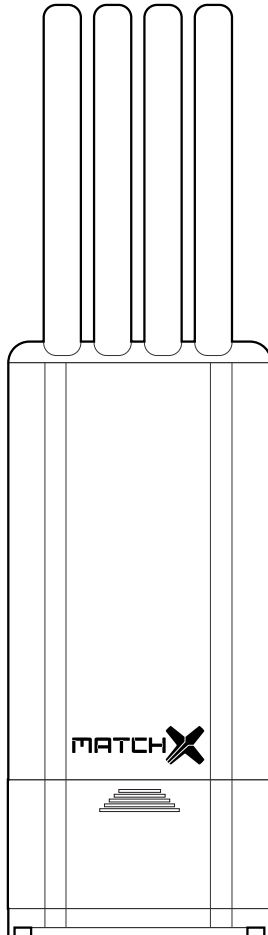


MATCHX

Assembly Instruction

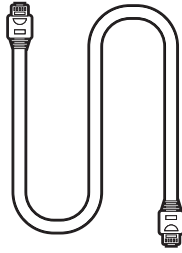
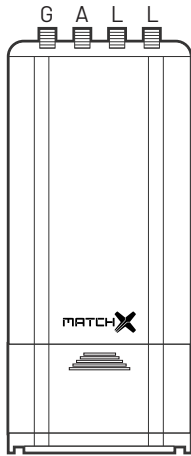
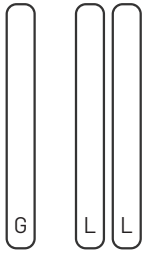
M2 PRO Miner



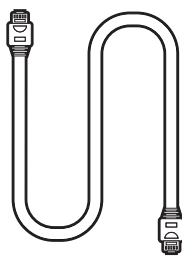
Powered by



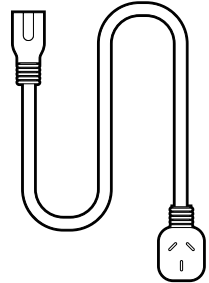
In Box



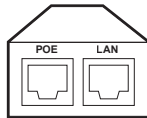
2m



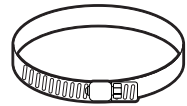
5m



250V



Wall Mount



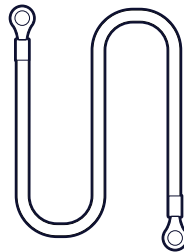
Pole Mount

Optional



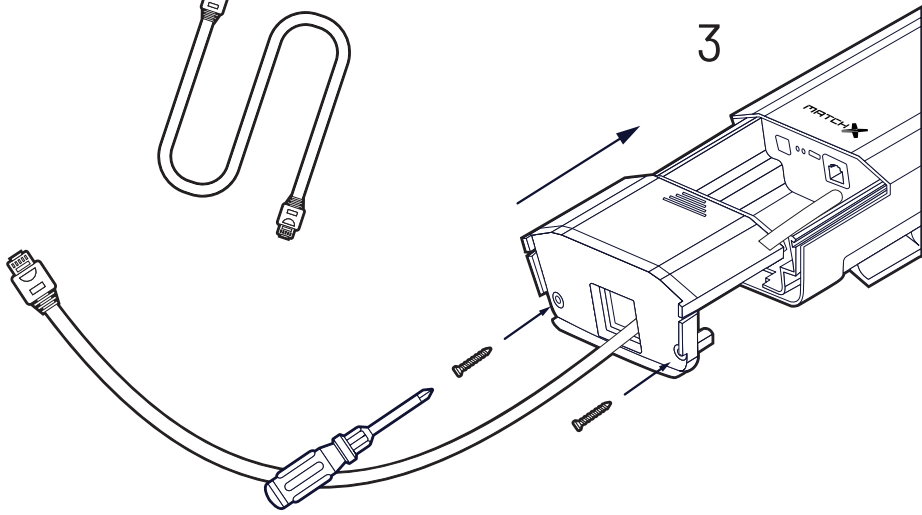
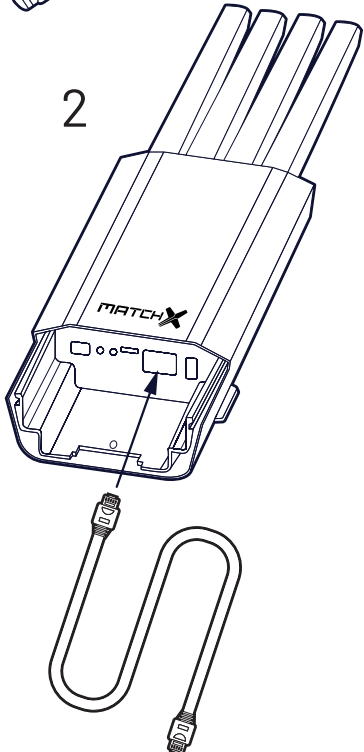
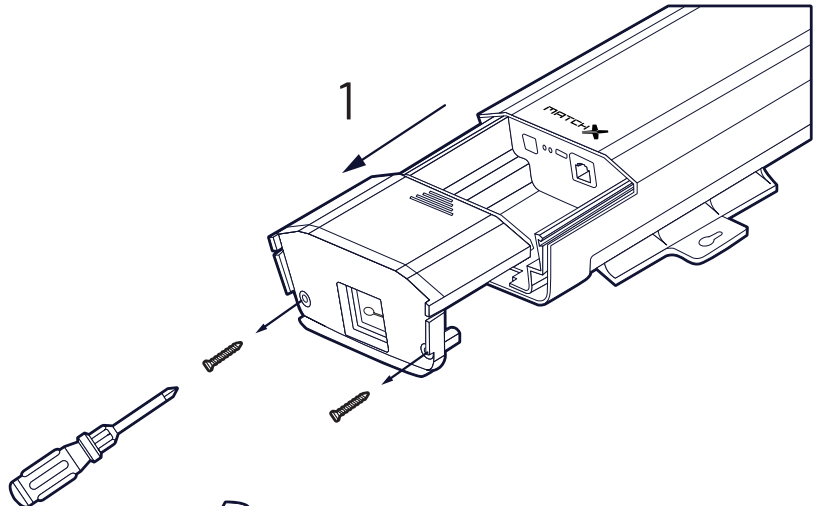
Antenna A

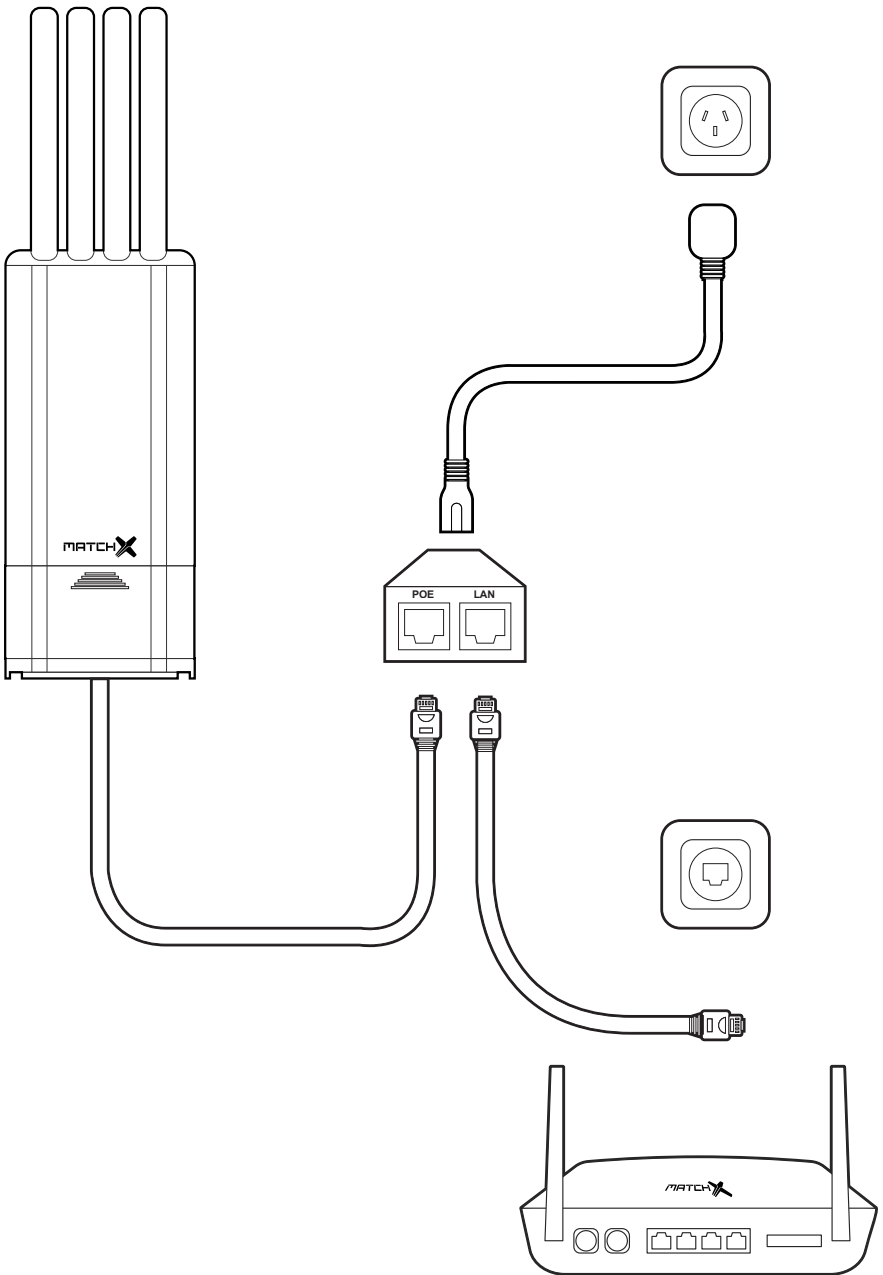
Optional LTE/4G module



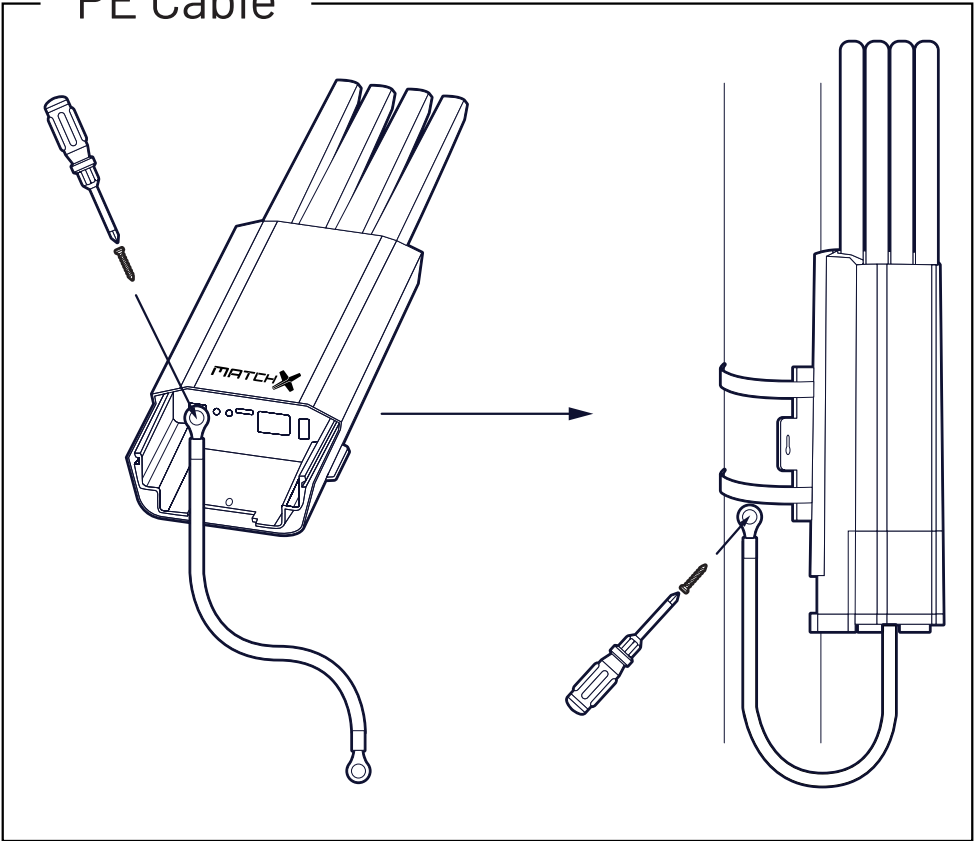
PE Cable

For earth connection, should be installed by electrician to the metal pole if GW is mounted outside on the pole











PE Cable



LED Indication

-  Steady Blue - Booting
-  Blue blinking - initializing
-  Yellow blinking - Got local IP address
-  Steady Yellow - Internet OK, no hearbeat from SN
-  Steady Green - Internet OK, SN connection OK
-  Steady Red - no network connection